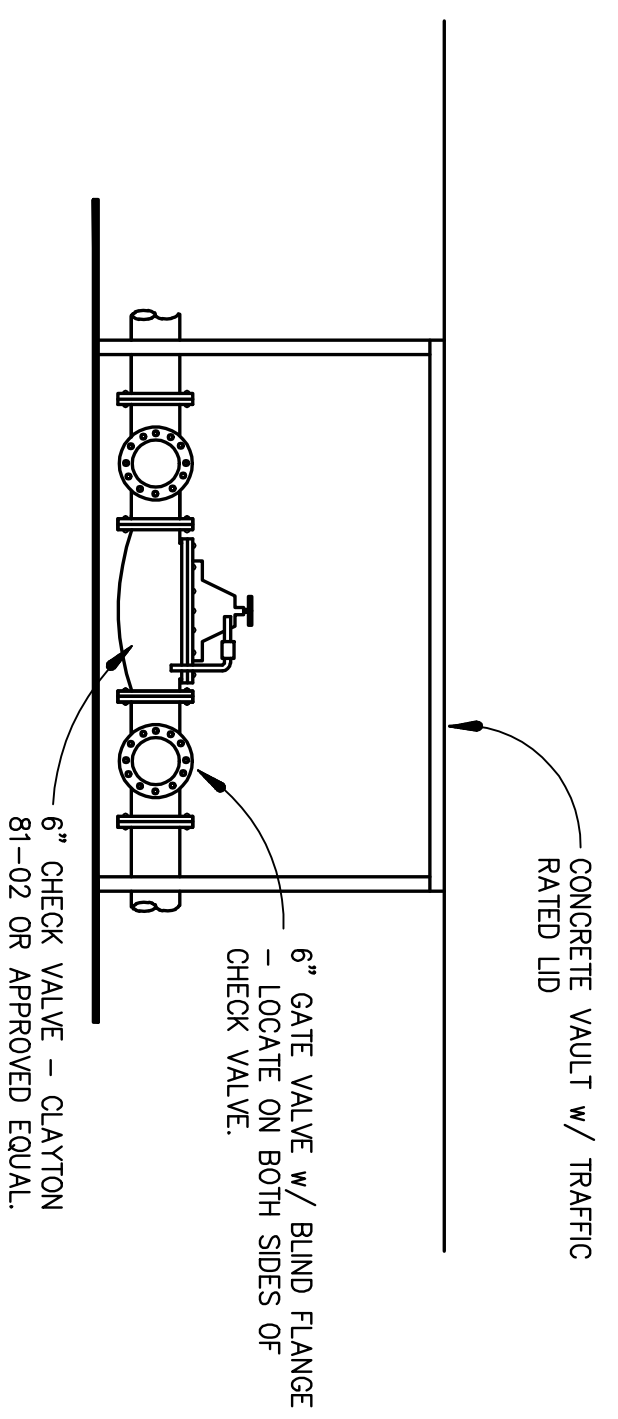


NOTES:
 FOR WATER LINE INSTALLATION WITHIN PAVED STREETS, AC PAVEMENT SHALL BE SAWCUT PRIOR TO TRENCHING. BACKFILL SHALL BE LEAN CONCRETE SLURRY. FINAL SURFACING TO MATCH EXISTING AC SECTION, 2 1/2\"/>

WATER LINE TRENCH 1
C8
 SCALE : 1/2" = 1'-0"

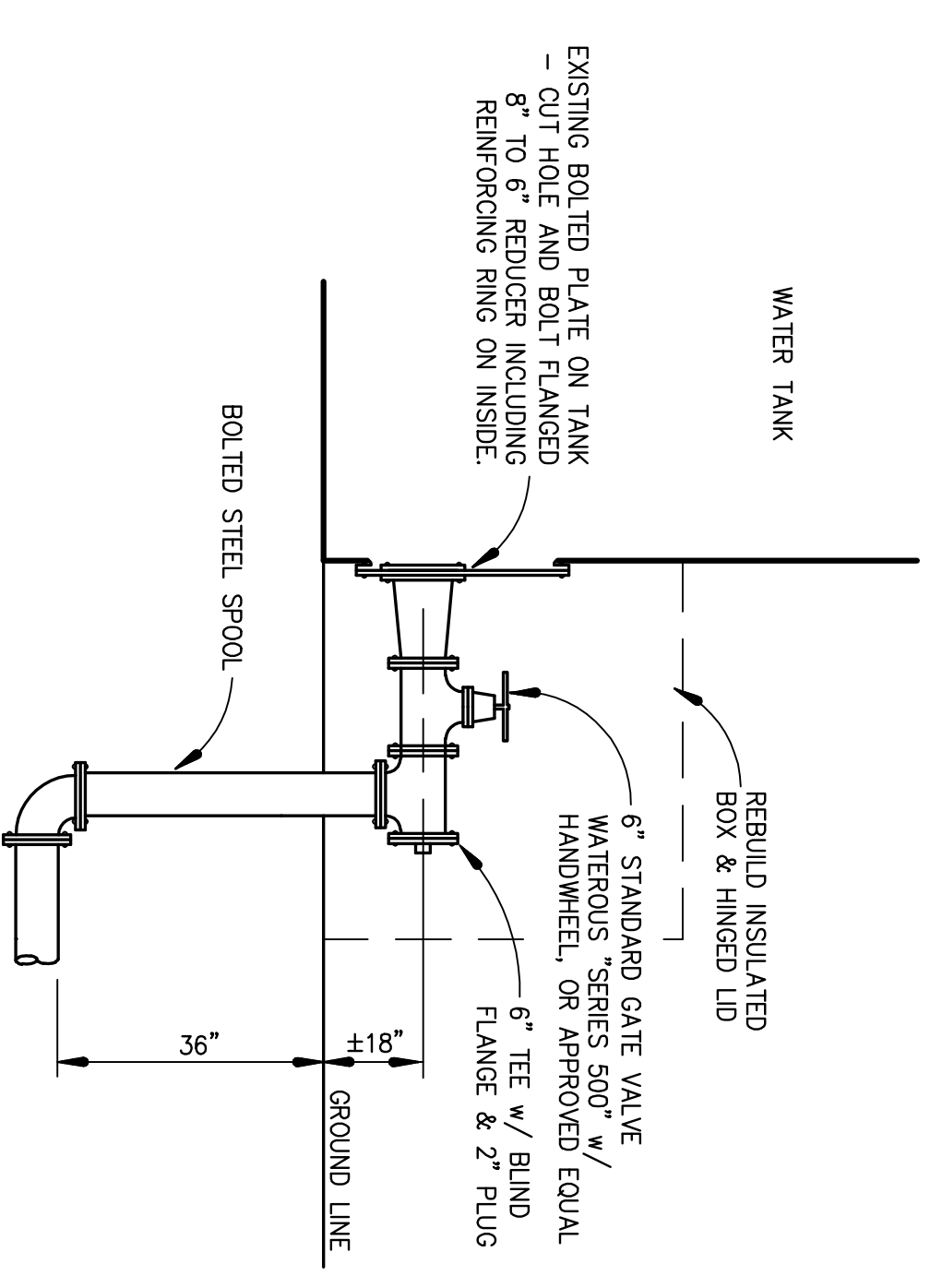


CHECK VALVE 4
C8
 SCALE : 1/2" = 1'-0"

TYPE OF FITTING	REQUIRED BEARING AREA	TOTAL SQUARE FEET					
		90° BEND	45° BEND	1 1/2" OR 22 1/2" BEND	TEE OR DRIP END	TEE - SEE STUD OUT DETAIL	CROSS SECTION DETAIL
TYPICAL INSTALLATION							
4"	2	1	1	2	2	2	2
6"	4	2	1	3	4	4	4
8"	7	4	2	5	7	7	7
10"	12	6	3	8	12	12	12
12"	16	10	5	12	16	16	16
14"	20	12	7	15	20	20	20

THRUST BLOCK SCHEDULE 2
C8

- THRUST BLOCKS TO BE CONSTRUCTED OF 2000 PSI, 28-DAY CONCRETE.
- AREAS GIVEN ARE FOR CLASS 150 PIPE AT TEST PRESSURE OF 150 P.S.I. IN SOILS WITH 2,000 P.S.F. BEARING CAPACITY (FINE SANDS & GRAVELS). IN WEAKER SOILS (SILT & CLAYS), CONSULT ENGINEER.
- BLOCKS TO BE POURED AGAINST UNDISTURBED SOIL.
- JOINTS TO BE KEPT CLEAR OF CONCRETE.
- BLOCKS SHALL BE A MINIMUM OF 6" THICK.
- CASES FOR VERTICAL UPLIFT TO BE ENGINEERED.



TANK CONNECTION 3
C8
 SCALE : 1/2" = 1'-0"

NO.	DATE	DESCRIPTION	BY
REVISIONS			

NST Engineering, Inc.
 1485 Riverside Drive
 (830) 257-5173

DRAWN BY: KMB
 CHECKED BY: JAM
 DATE: 9/19/11
 JOB No. 2011-041

DETAILS - AHMWC FALL 2011 REPLACEMENT