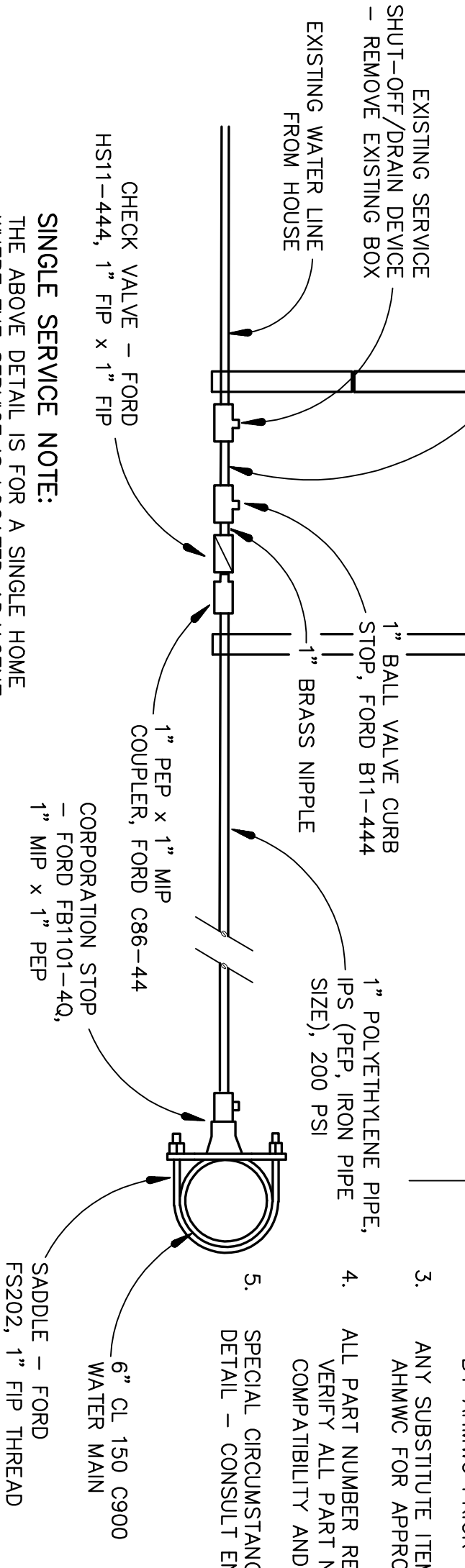


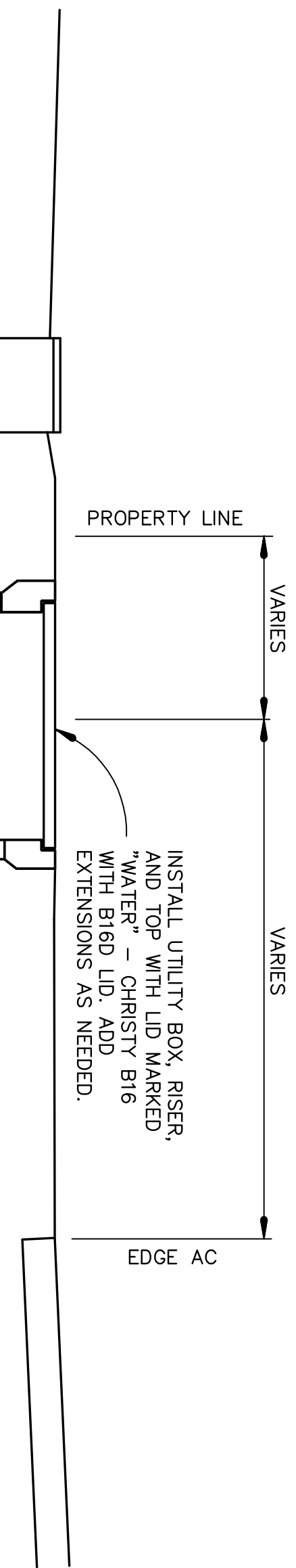
LINE RUN "A"
LINK BETWEEN EXISTING SERVICE AND NEW CURB STOP - INSTALL NECESSARY CONNECTIONS - SERVICES MAY VARY. FIELD FIT.

SINGLE SERVICE NOTE:
THE ABOVE DETAIL IS FOR A SINGLE HOME WHERE THE SERVICE IS LOCATED ADJACENT TO THE WATER MAIN. THE DISTANCE FOR "A" WILL BE SHORT AND ALL SHUTOFFS WILL BE LOCATED IN THE SAME NEW BOX.



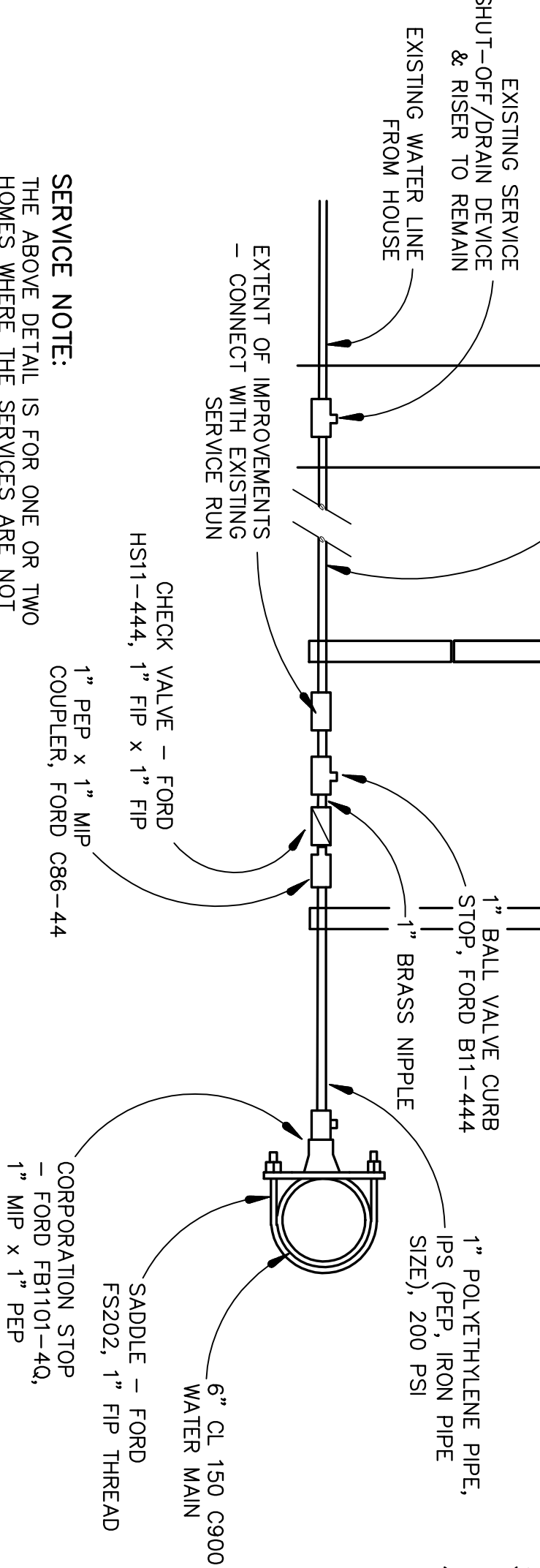
- GENERAL NOTES:**
1. CONTRACTOR TO FURNISH AND INSTALL ALL ITEMS AS SHOWN.
 2. WATER SERVICE WILL BE INSPECTED AND APPROVED BY AHMWC PRIOR TO BACKFILL.
 3. ANY SUBSTITUTE ITEMS MUST BE SUBMITTED TO THE AHMWC FOR APPROVAL PRIOR TO INSTALLATION.
 4. ALL PART NUMBER REFERENCES TO BE CONSIDERED "OR EQUAL" COMPATIBILITY AND/OR NEED FOR ADDITIONAL FITTINGS.
 5. SPECIAL CIRCUMSTANCES MAY REQUIRE CHANGES TO THIS DETAIL - CONSULT ENGINEER FOR SIGNIFICANT CHANGES.

SINGLE WATER SERVICE
SCALE : 1/2" = 1'-0"
DETAIL 1



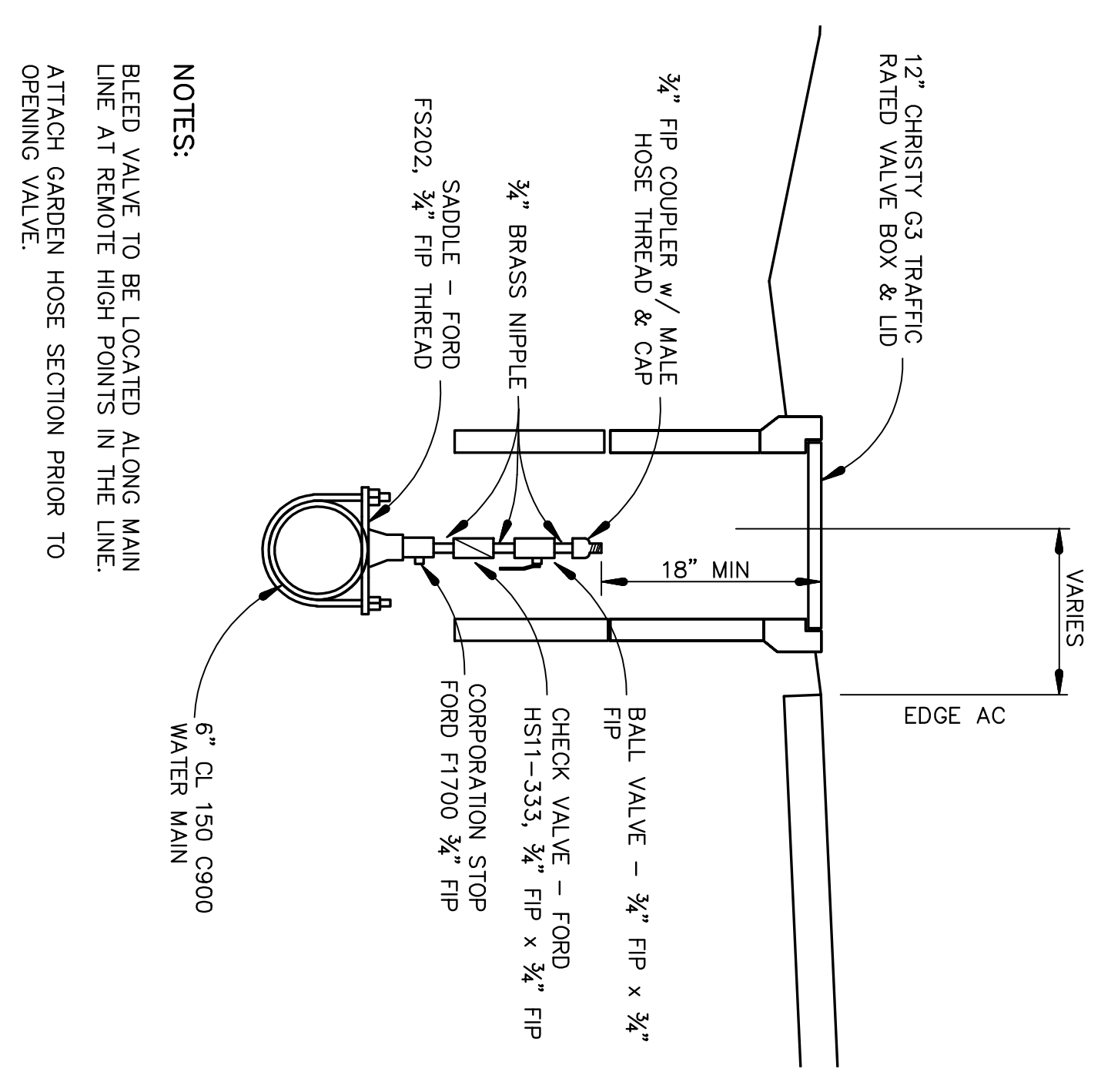
LINE RUN "A"
LINK BETWEEN EXISTING SERVICE AND NEW CURB STOP - SERVICE RUN SIZE & MATERIAL MAY VARY.

SERVICE NOTE:
THE ABOVE DETAIL IS FOR ONE OR TWO HOMES WHERE THE SERVICES ARE NOT LOCATED ADJACENT TO THE WATER MAIN. THE DISTANCE FOR "A" WILL VARY AND EXISTING PROPERTY OWNER'S SERVICE BOXES WILL REMAIN.



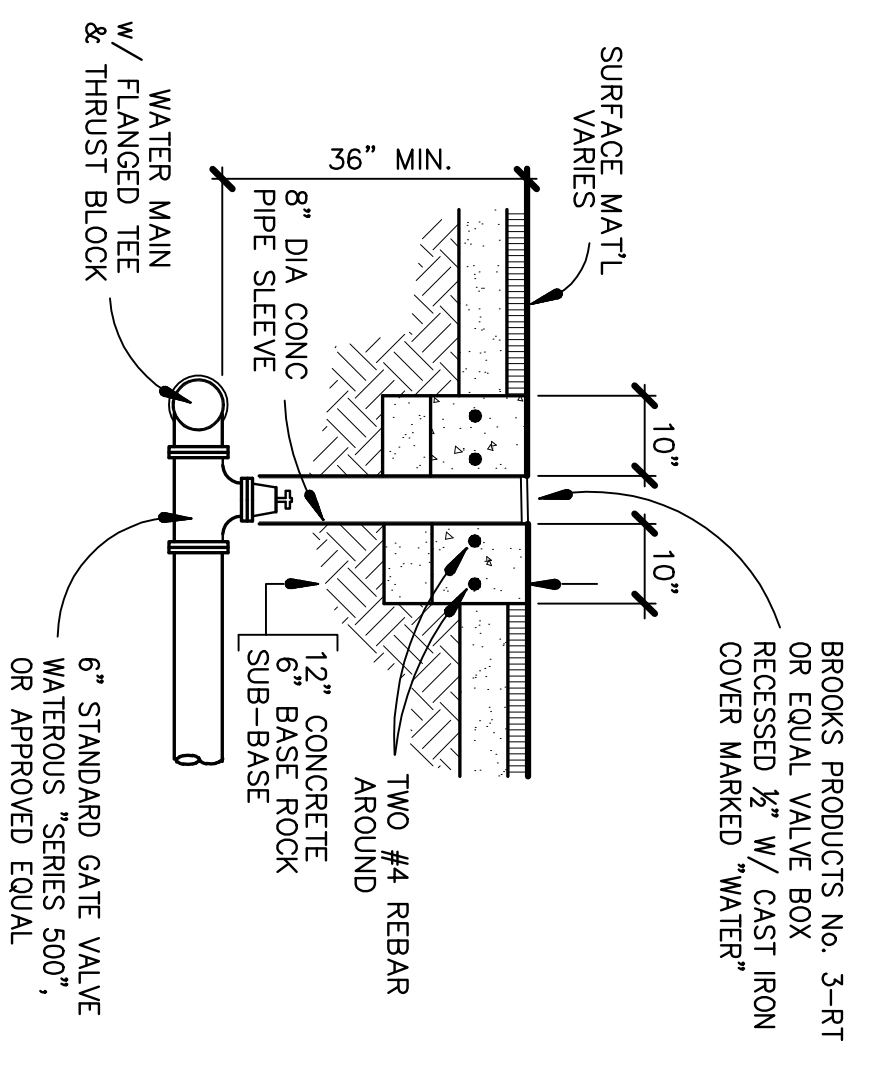
- GENERAL NOTES:**
1. CONTRACTOR TO FURNISH AND INSTALL ALL ITEMS AS SHOWN.
 2. WATER SERVICE WILL BE INSPECTED AND APPROVED BY AHMWC PRIOR TO BACKFILL.
 3. ANY SUBSTITUTE ITEMS MUST BE SUBMITTED TO THE AHMWC FOR APPROVAL PRIOR TO INSTALLATION.
 4. ALL PART NUMBER REFERENCES TO BE CONSIDERED "OR EQUAL" COMPATIBILITY AND/OR NEED FOR ADDITIONAL FITTINGS.
 5. SPECIAL CIRCUMSTANCES MAY REQUIRE CHANGES TO THIS DETAIL - CONSULT ENGINEER FOR SIGNIFICANT CHANGES.

LATERAL FOR OFFSET SERVICES
SCALE : 1/2" = 1'-0"
DETAIL 2

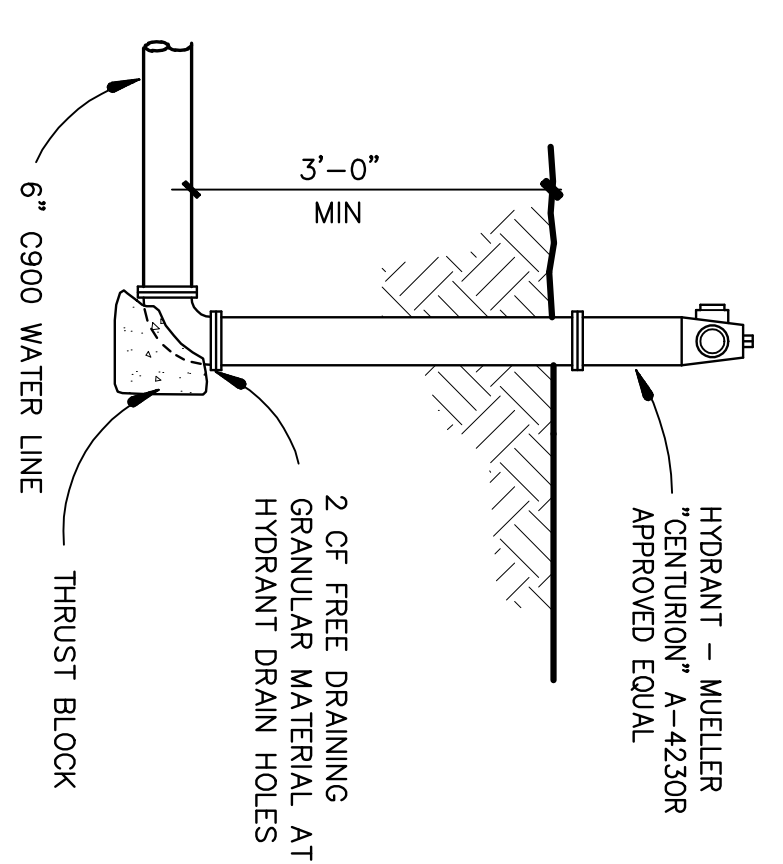


NOTES:
BLEED VALVE TO BE LOCATED ALONG MAIN LINE AT REMOTE HIGH POINTS IN THE LINE. ATTACH GARDEN HOSE SECTION PRIOR TO OPENING VALVE.

MANUAL BLEED VALVE
SCALE : 1/2" = 1'-0"
DETAIL 3



6" VALVE
SCALE : 3/4" = 1'-0"
DETAIL 4



1. HYDRANT SHALL COMPLY WITH LATEST AWWA STANDARDS. WORKING PRESSURE SHALL BE 150 PSI. HYDRANT SHALL BE 4\"/>
- 2. HYDRANT SHALL BE OPENED BY TURNING TO THE LEFT AND SHALL HAVE A 1 1/2" POINT TO FLAT BRONZE OPERATING NUT.
- 3. HYDRANTS WILL BE DRY TOP DESIGN. HYDRANTS WITH OPERATING THREADS LOCATED IN THE WATERWAY WILL NOT BE ACCEPTED.
- 4. PACKING GLAND IN BONNET SHALL BE SOLID BRONZE WITH DOUBLE \"O\" RING SEALS.
- 5. HYDRANTS WILL HAVE TWO 2 1/2\"/>
- 6. THE MAIN VALVE FRANG SHALL BE MADE OF RUBBER WITH THE MAIN VALVE OPENING NOT LESS THAN 4 1/2\"/>
- 7. HYDRANTS WILL BE OF THE DRY BARREL TYPE COMPLETELY BY OPENING AS SOON AS MAIN VALVE IS CLOSED AND CLOSE WHEN THE MAIN DRAIN VALVES ARE NOT ACCEPTABLE.
- 8. THE MAIN VALVE SEAT WILL BE BRONZE WITH A PREVENT CORROSION.
- 9. HYDRANTS SHALL HAVE A SIX INCH INLET.
- 10. HYDRANTS SHALL CONFORM TO AWWA C-502 AND SHALL BE MUELLER A423 OR CITY APPROVED EQUAL.
- 11. HYDRANTS SHALL HAVE A MINIMUM OF 3' RADIUS CLEAR SPACE, AND YELLOW IN COLOR.

HYDRANT
SCALE : 1/2" = 1'-0"
DETAIL 5

NO.	DATE	DESCRIPTION	BY